

**SAVE THESE INSTRUCTIONS**

*NOTE: Check ALL parts for shipping damage. If shipping damage is noted, DO NOT use. Contact Carrier/Dealer for further instructions.*

**SAFETY SUMMARY**

The following recommendations are made for the safe use of the Invacare I.V. Stand:

**GENERAL WARNINGS**

DO NOT install this equipment without first reading and understanding this instruction sheet. If you are unable to understand these Warnings, Cautions and Instructions, contact a healthcare professional, dealer or technical personnel if applicable before attempting to install this equipment - otherwise, injury or damage may occur.

**SPECIFIC WARNINGS**

Always inspect the I.V. stand to ensure that it is properly positioned and is stable before using.

After ANY adjustments, repair or service and BEFORE use, make sure all attaching hardware is tightened securely - otherwise injury or damage may occur.

*NOTE: Model 6681-5 and 6845-5 I.V. stands are packaged in pairs. There are enough parts to construct two (2) complete I.V. stands.*

Each package includes the following items:

DESCRIPTION	QUANTITY		
	6681-5	6845-5	6845
I.V. Hanger	2	2	1
Upper I.V. tube	2	2	1
Lower I.V. tube	2	2	1
Base	2	2	N/A
Upper Base Half	N/A	N/A	1
Lower Base Half	N/A	N/A	1
Caster	10	10	4
Bolt	2	2	1
Small Steel Washer	2	2	1
Locking Washer	2	2	N/A
Black Plastic Insert	2	2	N/A
Large Steel Washer	2	2	1
Adjusting Knob	2	2	1
Washer	N/A	N/A	4
Locknut	N/A	N/A	4
Wrench	N/A	N/A	1

**ASSEMBLING THE BASE (FIGURE 1)**

**Models 6681-5 and 6845-5**

1. Place base upside down.
2. Align a caster stem with a mounting hole in the base.
3. Firmly push down on bottom of caster until caster stem snaps into mounting hole.

*NOTE: Pressure MUST be applied on the correct area or the caster will not insert properly.*

4. Repeat STEPS 2-3 for remaining four (4) casters.

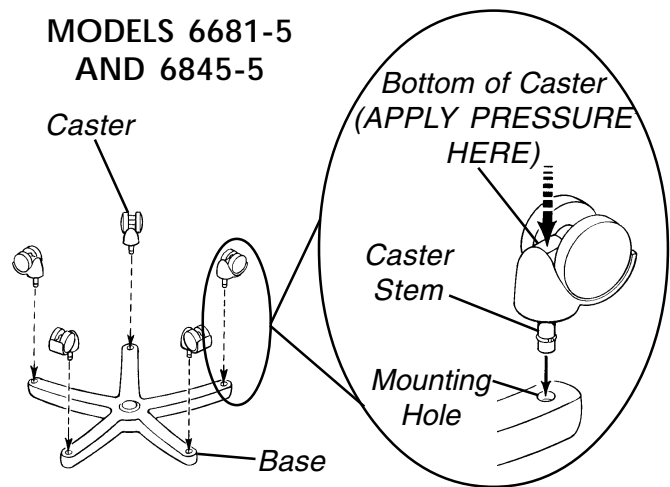
**Model 6845**

1. Position the upper base half and lower base half as shown in FIGURE 1.

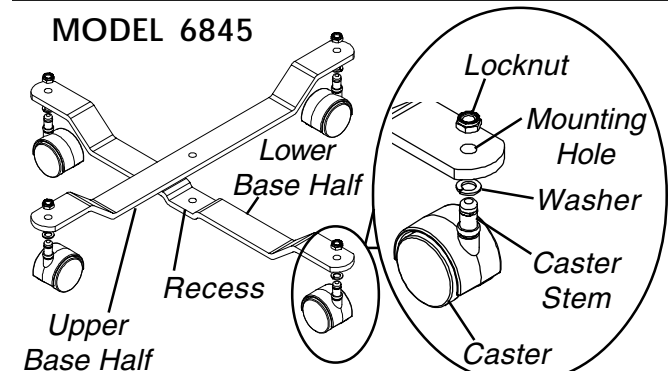
*NOTE: The lower base half has a recess in the center.*

2. Install one (1) washer onto one (1) caster stem.
3. Insert caster stem UP through mounting hole in base.
4. Install locknut onto caster stem. Tighten securely using wrench provided.
5. Repeat STEPS 2-4 for remaining three (3) casters.

**MODELS 6681-5 AND 6845-5**



**MODEL 6845**



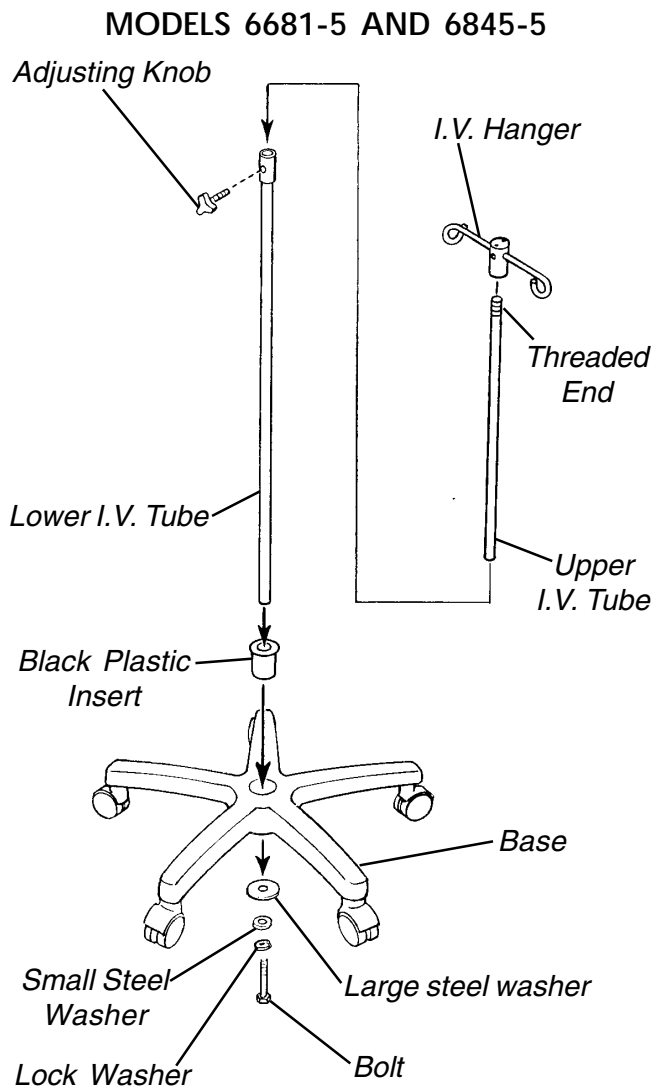
**FIGURE 1 - ASSEMBLING THE BASE**

## ASSEMBLING THE I.V. STAND (FIGURE 2)

1. Perform one (1) of the following:

### A. MODELS 6681-5 AND 6845-5 -

1. Place black plastic insert into the hole provided on top of the base.
2. Insert the lower I.V. tube through the black plastic insert and the base.
3. Secure the lower I.V. tube to the base with the large steel washer, small steel washer, lock washer and bolt. Securely tighten.



### B. MODEL 6845 -

1. Align the upper base half and the lower base half as shown in FIGURE 2.

*NOTE: The lower base half has a recess.*

2. Insert the bolt UP through wrench, small steel washer, mounting holes in lower base half and upper base half and large steel washer.
3. Secure the lower I.V. tube to the base with the bolt. Tighten securely.

2. Place I.V. hanger onto the threaded end of the upper I.V. tube. Turn clockwise to tighten.

*NOTE: Ensure the I.V. hanger is screwed tightly onto the upper I.V. tube.*

3. Insert upper I.V. tube into the lower I.V. tube.
4. Insert adjusting knob into the mounting hole on the lower I.V. tube.
5. Raise the upper I.V. tube to the desired I.V. stand height.
6. Tighten adjusting knob, by turning clockwise, at desired I.V. stand height.

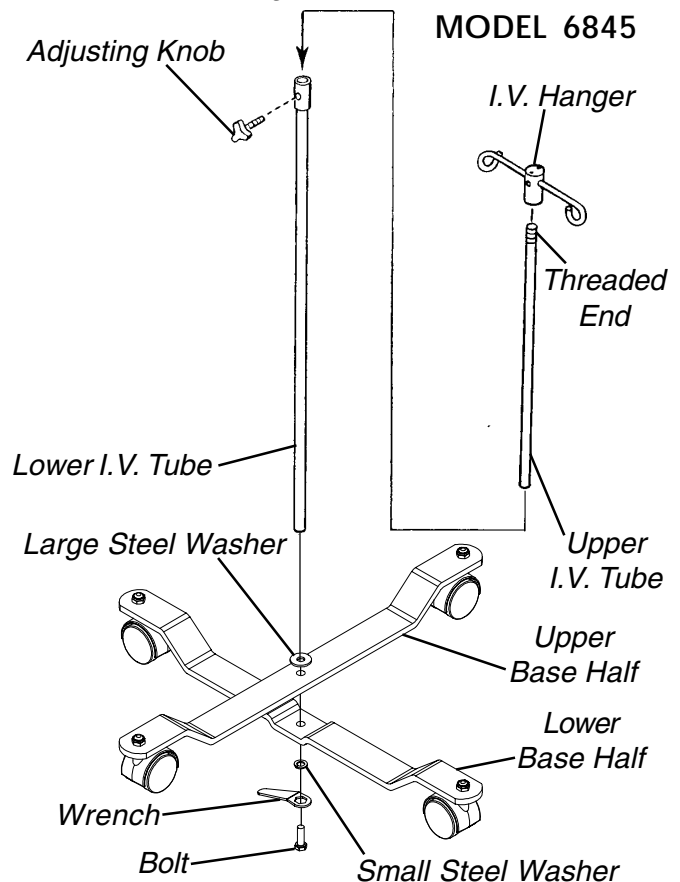


FIGURE 2 - ASSEMBLING THE I.V. STAND

Invacare Corporation

[www.invacare.com](http://www.invacare.com)



Yes, you can.™

**USA**  
One Invacare Way  
Elyria, Ohio USA  
44036-2125  
800-333-6900

**Canada**  
5970 Chedworth Way  
Mississauga, Ontario  
L5R 3T9, Canada  
905-890-8838

Invacare and "Yes, you can" are trademarks of Invacare Corporation.

© 2000 Invacare Corporation

Form No. 96-140 Part No. 1063112 RevA (I) 8/2000