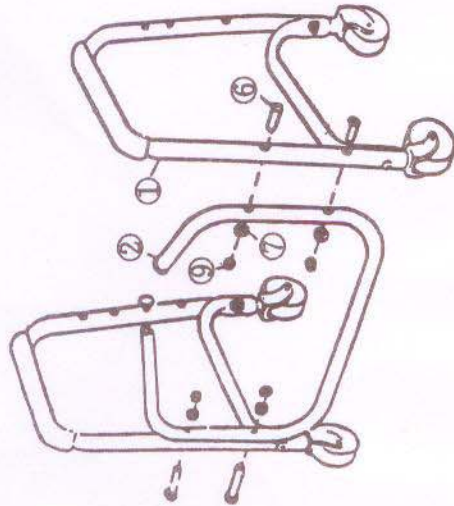
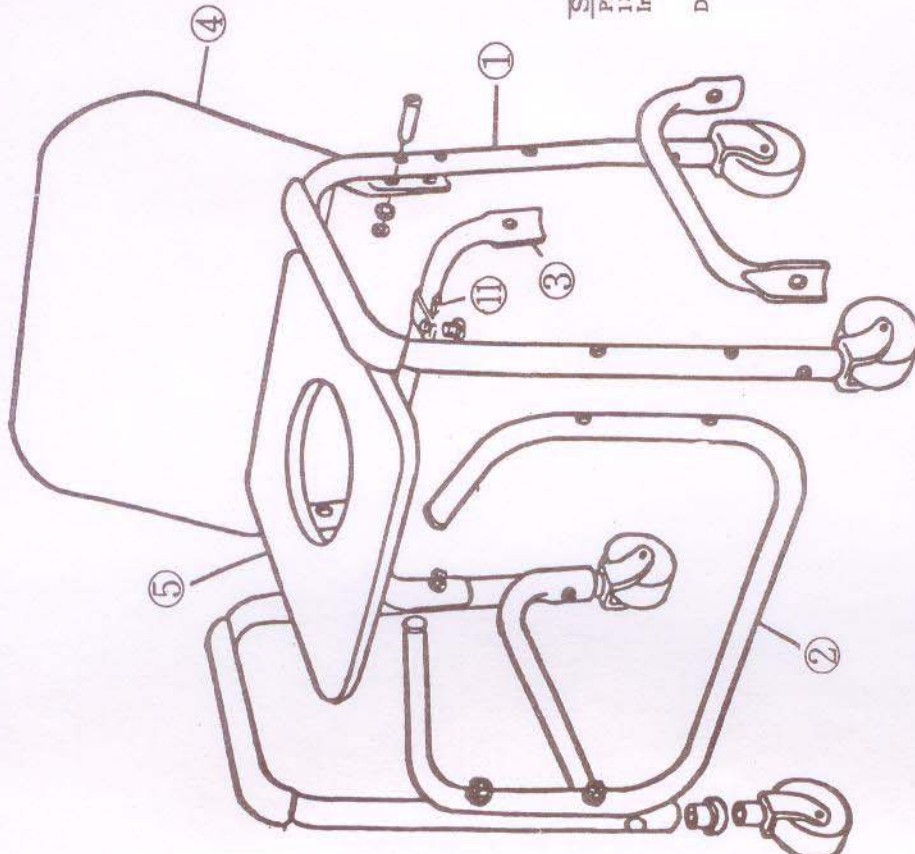
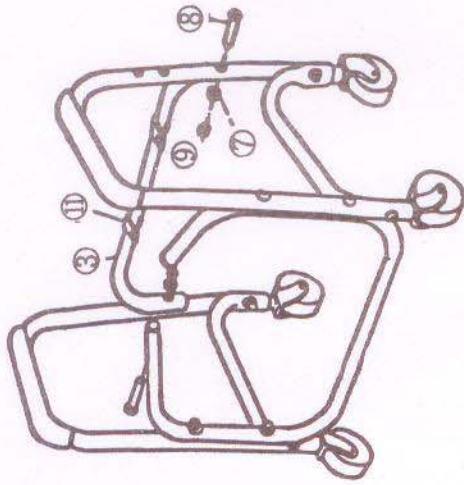


# DESCRIPTION: SHOWER CHAIR W/CASTER



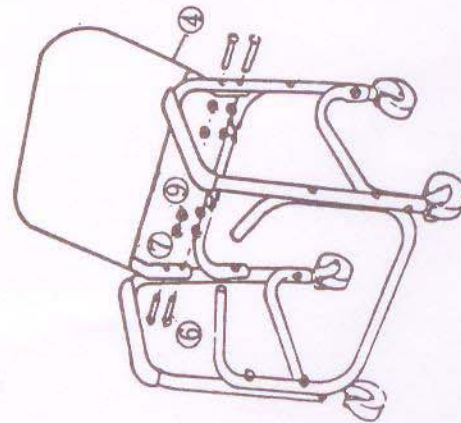
### STEP 1:

Place seat front brace (item 2) between the side frame (item 1) × 2  
 Insert bolt (item 6 × 4)  
 washer (item 7 × 4)  
 hex nut (item 9 × 4)  
 Do not fasten them.



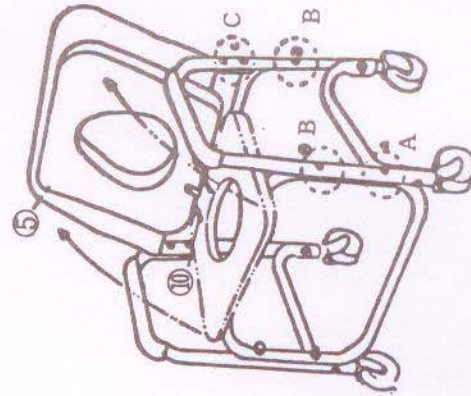
### STEP 2:

Insert clamp (item 11 × 2) into seat rear brace (item 3)  
 Place seat rear brace (item 3) between the side frame (item 1)  
 Insert bolt (item 8 × 2)  
 washer (item 7 × 2)  
 hex nut (item 9 × 2)  
 Do not fasten them



### STEP 3:

Place back brace (item 4) between the top of item 1  
 Insert bolt (item 6 × 4)  
 washer (item 7 × 4)  
 hex nut (item 9 × 4)  
 Do not fasten them.



### STEP 4:

Fix part A, part B, part C, put foam seat (item 5) on item 2 & item 3.  
 Insert screw (item 10 × 2) into the clamp (item 11)

ITEM	PART NO.	DESCRIPTION	QTY	REMARKS
1	AS2196	SIDE FRAME ASSY	2	
2	AS2197	SEAT FRONT BRACE ASSY	1	
3	AS2198	SEAT REAR BRACE	1	
4	AS2199	BACK BRACE ASSY	1	
5	P00075	FOAM SEAT	1	
6	S00067	BOLT	8	M6 × 55L
7	S00052	R SHAPE WASHER	10	
8	S00054	BOLT	2	M6 × 35L
9	S00064	HEX NUT	10	
10	S00079	SCREW	2	M6 × 15L
11	AS1080	CLAMP	2	